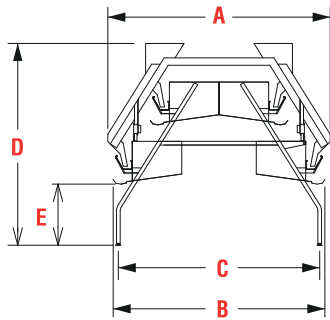
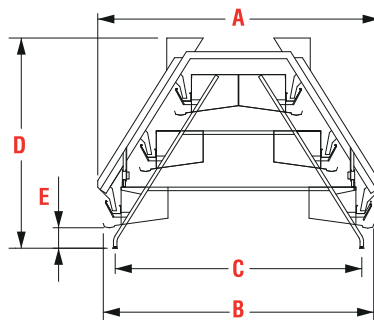


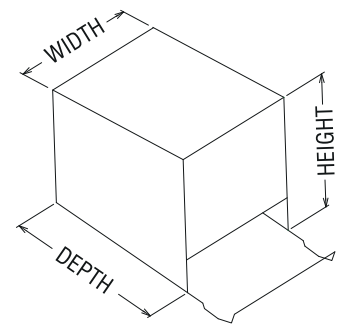
A-FRAME LAYER CAGE SYSTEM



A-Frame Double Deck



A-Frame Tri Deck



► Cage Specification

Cage Floor Area Per Bird	Birds Capacity Per Section		Model	A FRAME - Double Deck	A-FRAME - Tri Deck		
	Double Deck	Triple Deck	Cage depth		508mm (20")		
6 Compartment 4 Birds / Cage 515.6 cm ²	96 birds	144 birds	Cage width	305mm & 406mm (12" & 16")			
			Cage height	406mm (16")			
5 Birds / Cage 412.5 cm ²	120 birds	180 birds	Cage section length	2438.4mm (96")			
			Cage section specification	Standard	Standard	Extra height 14"	Extra height 19"
8 Compartment 3 Birds / Cage 516.5 cm ²	96 birds	144 birds	A Cage width (with feed cart)	2286mm (90")	3050mm (120")		
			B Cage width (without feed cart)	2176mm (85.7")	2930mm (115.3")		
			C Center cage stand	2070mm (81.5")	2672mm (105.2")		
			D Cage height (with feed cart)	2074mm (81.7")	2278mm (89.7")	2634mm (103.7")	2761mm (108.7")
			E Cage bottom height	628mm (24.7")	222mm (8.7")	577mm (22.7")	704mm (27.7")
			Cage design	Wire material			
			System length				
			With feed cart + double deck & tri deck egg collector type elevator	Cage length + 4375mm (172")			
			With feed cart + double deck egg collector type rubber finger	Cage length + 3814 mm (150")			
			With feed cart + tri deck egg collector type rubber finger	Cage length + 4338mm (170.8")			