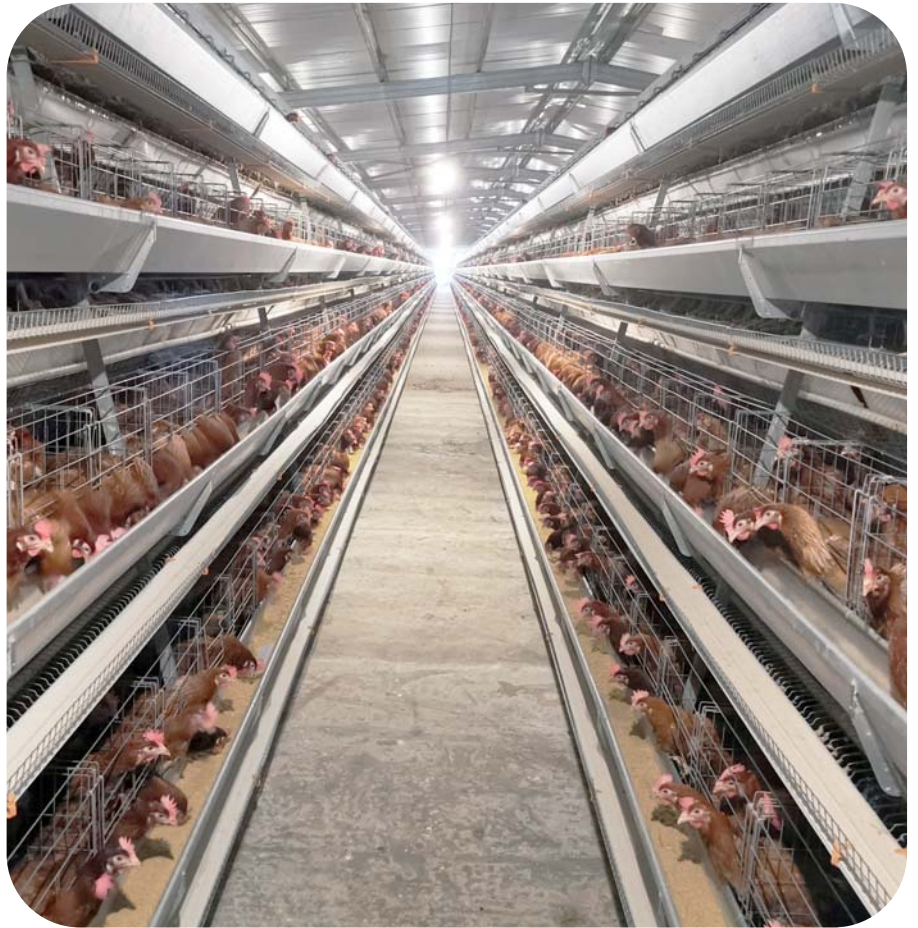
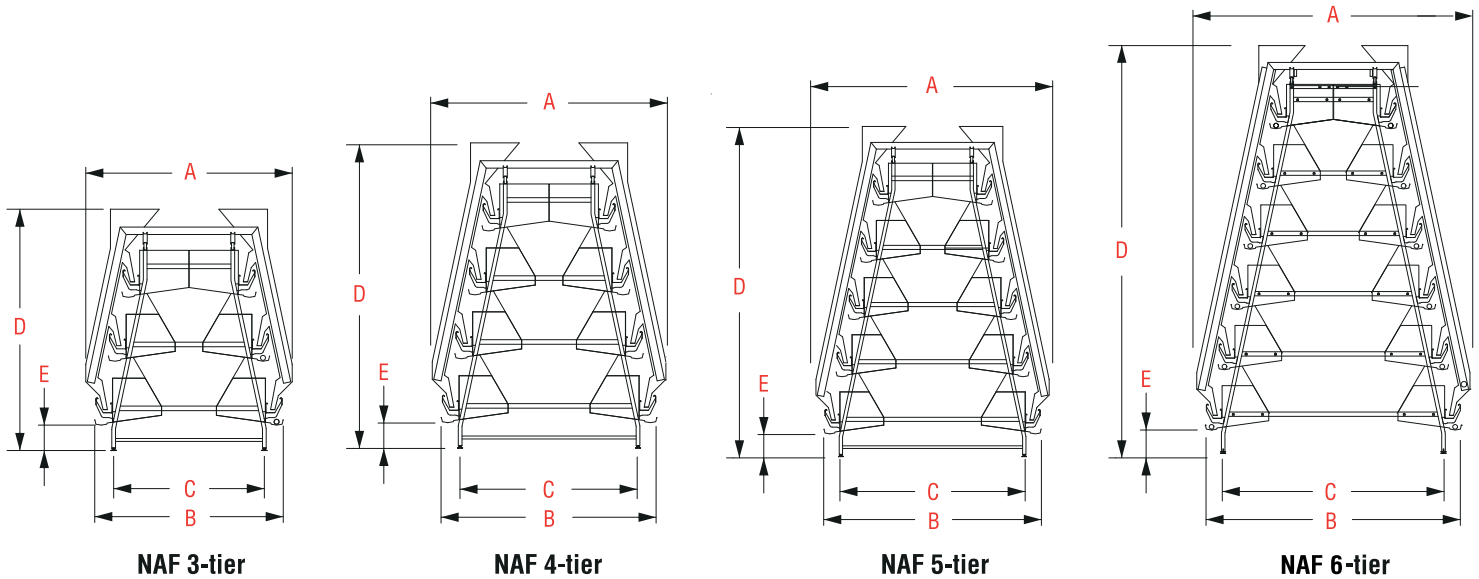


NAF LAYER CAGE SYSTEM



	Cage Floor Area Per Bird	Birds Capacity Per Section			
		3-TIER	4-TIER	5-TIER	6-TIER
6 Compartment	4 Birds / Cage 515.6 cm ²	144 birds	192 birds	240 birds	288 birds
	5 Birds / Cage 412.5 cm ²	180 birds	240 birds	300 birds	360 birds



► Cage Specification

Model	NAF - 3 Tier		NAF - 4 Tier		NAF - 5 Tier	NAF - 6 Tier
Cage depth	508mm (20")					
Cage width	406mm (16")					
Cage height	457mm (18")					
Cage section length	2438.4mm (96")					
Cage section specification	With manure belt or high rise	Without manure belt	With manure belt or high rise	Without manure belt	With manure belt or high rise	Without manure belt / high rise
A Cage width (with feed cart)	2116mm (83.3")		2394mm (94.3")		2673mm (105.2")	2951mm (116.2")
B Cage width (without feed cart)	1932mm (76")		2210mm (87")		2489mm (98")	2767mm (108.9")
C Center cage stand	1544mm (60.8")		1823mm (71.8")	1950mm (76.8")	2101mm (82.7")	2380mm (93.7")
E Cage height (with feed cart)	2466mm (97")	2716mm (107")	3121mm (122.9")	3435mm (135.2")	3776mm (148.7")	4431mm (174.4")
D Cage bottom height	253mm (10")	503mm (19.8")	253mm (10")	567mm (22.3")	253mm (10")	253mm (10")
Cage design	Wire material					
System length						
With feed cart + egg collector type elevator + manure drive					Cage length + 4950mm (195")	
With feed cart + egg collector type elevator					Cage length + 4370mm (172")	