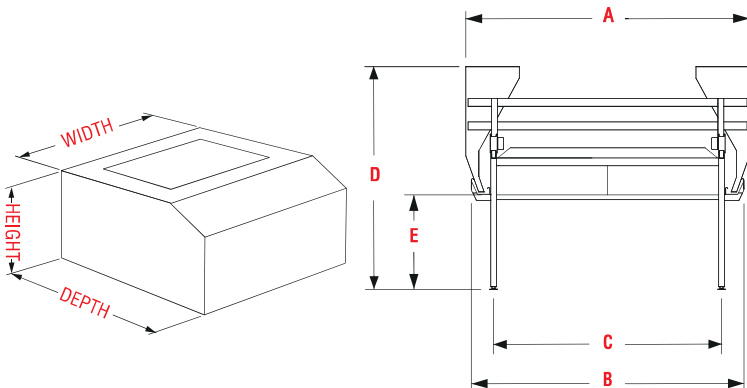




*Constructed with day old chick in mind*



**STARTER CAGE** The slanting front cage height of 12" is designed for easy birds handling. Special design of floor 3/4" x 3/4" grid provides strong floor support and comfort to the birds. Design to reduce injuries and provides clean and healthy environment to the birds. The " feed access profiles " are adjustable to accommodate the pullet size from day one and it also act as a barrier to prevent the birds from getting into the feed trough.

### ► Cage Specification

Model	Starter
Period	0 days to 35 days (max)
Density of bird per compartment	50 birds to 60 birds
Cage floor area	9289cm <sup>2</sup> (1440in <sup>2</sup> )
Cage depth	762mm (30")
Cage width	1219mm (48")
Cage height	305mm (12")
<b>Cage section specification</b>	
Cage section length	2438.4mm (96")
A Cage width ( with feed cart )	1843mm (72.6")
B Cage width ( without feed cart )	1772mm (70")
C Center cage stand	1481mm (58.3")
D Cage height ( with feed cart )	1448mm (57")
E Cage bottom height	615mm (24.2")
Cage design	Wire material
<b>System length</b>	
With feed cart	Cage length + 2440mm (96")

**Benefits :** Labour and feed saving, less mortality, easy monitoring and reachable.

**Optional :** Curtain and accessories, air exchange heater system, transfer trolley are also available.