

NAF 3-TIER START/GROW CAGE SYSTEM

TSIS evolutionary Start/Grow systems combine the best of the starter and grower cage system to provide a two-in-one system for smoother transition of the chicks development. This system is specially designed for day old chicks up to three (3) months, all under one roof. This optimum use of space results in a more economical system.

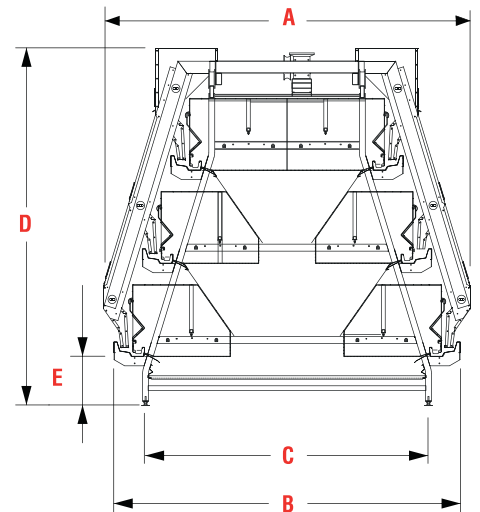
Benefits : Increase capacity, labour and feed saving, less mortality, easy monitoring and accessibility.

Optional : PP belt manure removal system, curtain and accessories, air exchange heater system and transfer trolley are also available.



► Cage Specification

Model	NAF Start/Grow 3-Tier	
Density of bird per compartment	25 birds	
Cage depth	630mm (25")	
Cage width	1220mm (48")	
Cage height	460mm (18")	
Cage section specification	With manure belt	Without manure belt
Cage section length	2438.4mm (96")	
A Cage width (with feed cart)	2373mm (93.4")	
B Cage width (without feed cart)	2233mm (88")	
C Center cage stand	1823mm (71.8")	
D Cage height (with feed cart)	2290mm (90")	2587mm (101.8")
E Cage bottom height	303mm (12")	600mm (23.6")
Cage design	Wire material	
System length		
With feed cart + With manure belt system	Cage length + 2715mm (106.9")	
With feed cart (Without manure belt system)	Cage length + 2135 (84")	



→
(0 - 5 weeks)



→
(5 - 16 weeks)

